



# OUTFIT YOUR MARINE VESSEL

**FUN | SAFETY | CONVENIENCE**

LED LIGHTBARS

TRANSOM LED LIGHTS

RGB ACCENT LIGHTS

LED CUBE LIGHTS



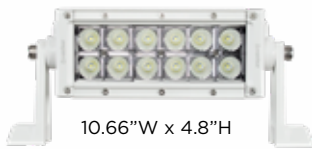
**WARNING:** This catalog does not advise whether a State of California Proposition 65 warning is required for a particular item of merchandise. To learn whether a particular item of merchandise requires a California Proposition 65 warning, please be sure to look up and read the particular merchandise's listing on Metra's website [www.MetraOnline.com](http://www.MetraOnline.com), as well as read the particular merchandise's packaging. When a California Proposition 65 warning is present on Metra's website listing for the particular merchandise, or on the particular merchandise's packaging, a compliant California Proposition 65 warning is to be provided to the purchasing California consumer prior to the sale of the particular merchandise.

# CONTENTS

LED LIGHTBARS.....	4-5
LED CUBE LIGHTS.....	6-7
TRANSOM LED LIGHTS.....	8-10
DRAIN PLUG LIGHTS.....	11
RGB ACCENT LIGHTS.....	12-14
LED STRIP LIGHTS.....	15
LED WHIPS.....	16
AUDIO ACCESSORIES.....	17-23
HDMI®.....	24-25
BATTERY.....	26
POWER SUPPLY.....	27
TRAILER ACCESSORIES.....	28-30
INSTALLATION ACCESSORIES.....	31-33
FUSE BLOCKS.....	34-35
HARDWARE.....	36-39
TOOLS.....	40-46

LED STRIP LIGHTS

# LED LIGHTBARS



10.66"W x 4.8"H

## 8" LED LIGHTBAR DUAL ROW

★ IP68 ★  
CERTIFIED

- Wattage: 36W
- Raw Lumens: 2880lm
- Lux @ 10M: 215
- Current Consumption @ 13.8V: 1.9 amps
- IP Rating: IP68
- Hole Dimensions:  
Bracket Turned In: 7.25"  
Brackets Turned Out: 9.5"

HE-MDR8



16.69"W x 4.8"H

## 14" LED LIGHTBAR DUAL ROW

★ IP68 ★  
CERTIFIED

- Wattage: 72W
- Raw Lumens: 5760lm
- Lux @ 10M: 466
- Current Consumption @ 13.8V: 3.7 amps
- IP Rating: IP68
- Hole Dimensions:  
Bracket Turned In: 13.5"  
Brackets Turned Out: 15.75"

HE-MDR14



16.69"W x 4.8"H

## 14" LED LIGHTBAR SINGLE ROW

★ IP68 ★  
CERTIFIED

- Wattage: 60W
- Raw Lumens: 4800lm
- Lux @ 10M: 450
- Current Consumption @ 13.8V: 3.7 amps
- IP Rating: IP68
- Hole Dimensions:  
Bracket Turned In: 13.5"  
Brackets Turned Out: 15.75"

HE-MSR14



24.72"W x 4.8"H

## 20" LED LIGHTBAR DUAL ROW

★ IP68 ★  
CERTIFIED

- Wattage: 108W
- Raw Lumens: 8640lm
- Lux @ 10M: 612
- Current Consumption @ 13.8V: 5.7 amps
- IP Rating: IP68
- Hole Dimensions:  
Bracket Turned In: 19.5"  
Brackets Turned Out: 21.75"

HE-MDR20

**INPUT VOLTAGE:** 10-30V DC

**COLOR TEMPERATURE:** 6000K

**BEAM PATTERN COMBO:**  
Flood 90° and Spot 8°

**HOUSING MATERIAL:**  
Die-cast Aluminum

**COLOR:** White coating with UV

**MEMBRANE:** Gore

**LENS MATERIAL:** PC

**MOUNTING BOLT DRILL:** 0.25"

**MOUNTING BRACKET:**  
Die-cast Aluminum

**HEIGHT OF LIGHT BAR:** 3"

**DEPTH OF LIGHT BAR:** 3.5"

**ELECTRONICS:**  
Integrated-Epoxy Encapsulated

**HARDWARE:** Stainless 316

**OPERATING TEMPERATURE:**  
-40°F to +140°F

**PROTECTION:** Reverse polarity

# LED LIGHTBARS



34.88"W x 4.8"H

## 30" LED LIGHTBAR DUAL ROW



- Wattage: 180W
- Raw Lumens: 14400lm
- Lux @ 10M: 625
- Current Consumption @ 13.8V: 9.5 amps
- IP Rating: IP67
- Hole Dimensions:  
Bracket Turned In: 31"  
Brackets Turned Out: 33.5"

**HE-MDRC30**



44.76"W x 4.8"H

## 42" LED LIGHTBAR DUAL ROW



- Wattage: 240W
- Raw Lumens: 19200lm
- Lux @ 10M: 780
- Current Consumption @ 13.8V: 12 amps
- IP Rating: IP67
- Hole Dimensions:  
Bracket Turned In: 41"  
Brackets Turned Out: 43.5"

**HE-MDRC42**

## ADDITIONAL ACCESSORIES

### UNIVERSAL LIGHTBAR BRACKETS

- 8", 22" and 32" sizes



**MPS-B01**



**MPS-B02**



**MPS-B03**

**INPUT VOLTAGE:** 10-30V DC

**COLOR TEMPERATURE:** 6000K

**BEAM PATTERN COMBO:**  
Flood 90° and Spot 8°

**HOUSING MATERIAL:**  
Die-cast Aluminum

**COLOR:** White coating with UV

**MEMBRANE:** Gore

**LENS MATERIAL:** PC

**MOUNTING BOLT DRILL:** 0.25"

**MOUNTING BRACKET:**  
Die-cast Aluminum

**HEIGHT OF LIGHT BAR:** 3"

**DEPTH OF LIGHT BAR:** 3.5"

**ELECTRONICS:**

Integrated-Epoxy Encapsulated

**HARDWARE:** Stainless 316

**OPERATING TEMPERATURE:**  
-40°F to +140°F

**PROTECTION:** Reverse polarity

# CUBE LED LIGHTS

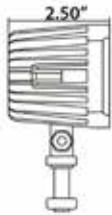


★ IP68 ★  
CERTIFIED

## 2" CUBE LIGHT 1 LED

- Wattage: 10W
- Raw Lumens: 600lm
- Lux @ 10M: 12
- Current Consumption @ 13.8V: 0.7 amps
- IP Rating: IP68
- Beam Pattern: Flood 40°
- Mounting Bracket: Stainless steel

**HE-MCL1**



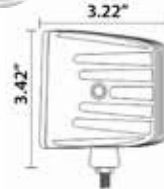
★ IP68 ★  
CERTIFIED

## 3" CUBE LIGHT 4 LED

- Wattage: 12W
- Raw Lumens: 960lm
- Lux @ 10M: 17
- Current Consumption @ 13.8V: 0.9 amps
- IP Rating: IP68
- Beam Pattern: Flood 90°
- Mounting Bracket: Stainless steel

**HE-MCL2** Single light  
**HE-MCL22PK** 2 light pack

*HE-DLWH1 dual light wiring harness included with 2 pack*



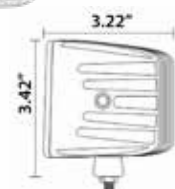
★ IP68 ★  
CERTIFIED

## 3" CUBE LIGHT 6 LED

- Wattage: 18W
- Raw Lumens: 1440lm
- Lux @ 10M: 18
- Current Consumption @ 13.8V: 1.2 amps
- IP Rating: IP68
- Beam Pattern: Flood 90°
- Mounting Bracket: Stainless steel

**HE-MCL3** Single light  
**HE-MCL32PK** 2 light pair

*HE-DLWH1 dual light wiring harness included with 2 pack*

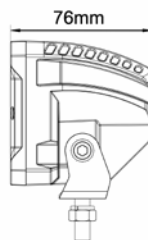


★ IP68 ★  
CERTIFIED

## 3" CUBE LIGHT 4 LED

- Wattage: 12W
- Raw Lumens: 960lm
- Lux @ 10M: 34
- Current Consumption @ 13.8V: 0.7 amps
- IP Rating: IP68
- Beam Pattern: Flood 90°
- Mounting Bracket: Stainless steel

**HE-MHCL2**



### ACCENT CAPS

Customize your lights with included color accent caps!

### ACCESSORIES INCLUDED



### PIGTAIL

Included with all marine high output cube LED lights

### ADDITIONAL ACCESSORIES



### CUBE PROTECTIVE LENS COVERS

- Polycarbonate protective lens
- Use with 3 inch cube lights

- HE-CLLA** Amber
- HE-CLL BK** Black
- HE-CLLC** Clear
- HE-CLLR** Red
- HE-CLLG** Green
- HE-CLLBL** Blue

### ROLL BAR MOUNTS

- Powder coated black
- Rubber insert



**MPS-C02** 3"   **MPS-C04** 2"   **MPS-C03** 1.5"

# FLUSH MOUNT CUBE LED LIGHTS



★ IP68 ★  
CERTIFIED

## 3" FLUSH MOUNT CUBE LIGHT 4 LED

- Wattage: 12W
- Raw Lumens: 960lm
- Lux @ 10M: 17
- Current Consumption @ 13.8V: 0.9 amps
- IP Rating: IP68
- Beam Pattern: Flood 90°
- Mounting Bracket: Flush mount

### HE-MFMCL2

*Includes gasket and cut out template*



★ IP68 ★  
CERTIFIED

## 3" FLUSH MOUNT CUBE LIGHT 6 LED

- Wattage: 18W
- Raw Lumens: 1440lm
- Lux @ 10M: 18
- Current Consumption @ 13.8V: 1.2 amps
- IP Rating: IP68
- Beam Pattern: Flood 90°
- Mounting Bracket: Flush mount

### HE-MFMCL3

*Includes gasket and cut out template*

## ACCESSORIES INCLUDED

### GASKETS AND SCREWS

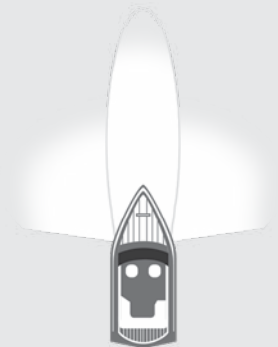
- Included with all flush mount cube LED lights



## HYBRID SYSTEM

### THE BEST OF BOTH WORLD'S

Intense spotlights in the center flanked by wide-beam driving lights on each side give you everything in one lightbar



**INPUT VOLTAGE:** 10-30V DC

**COLOR TEMPERATURE:** 6000K

**HOUSING MATERIAL:**  
Die-cast Aluminum

**COLOR:** White coating with UV

**LENS MATERIAL:** PC

**ELECTRONICS:**  
Integrated-Epoxy Encapsulated

**HARDWARE:** Stainless 316

**OPERATING TEMPERATURE:**  
-40°F to +140°F

**PROTECTION:** Reverse polarity

# TRANSOM LED LIGHTS

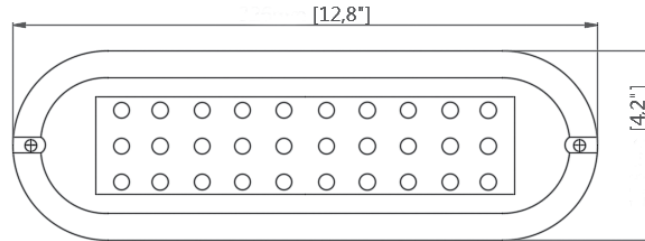
**NEW**

★ IP68 ★  
CERTIFIED

## 90W UNDERWATER TRANSOM LIGHT BLUE

- (30) 3-watt LEDs

**ML-BLU90W**



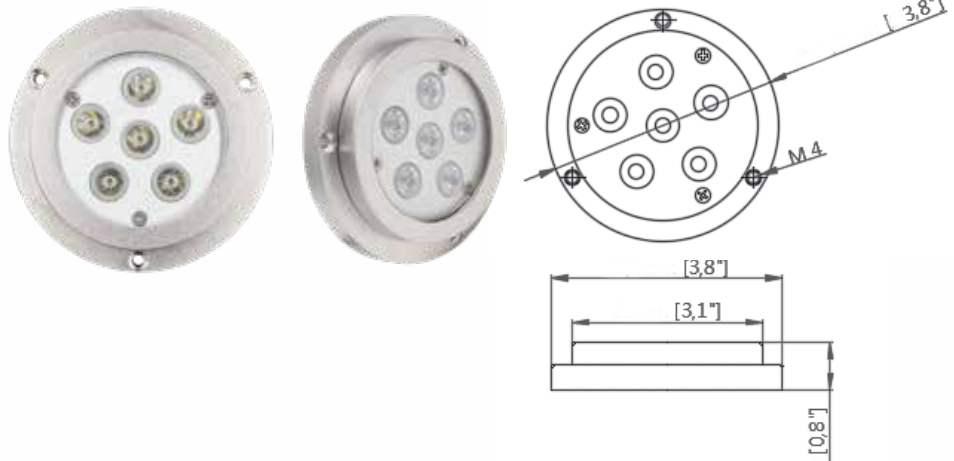
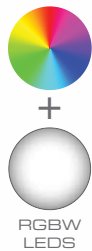
**NEW**

★ IP68 ★  
CERTIFIED

## 24W UNDERWATER TRANSOM LIGHT RGBW

- (6) 4-watt LEDs
- 5-wire RGBW

**ML-RGBW24W**



**NEW**

★ IP68 ★  
CERTIFIED

## 27W UNDERWATER TRANSOM LIGHT RGB

- (9) 3-watt LEDs
- 4-wire RGB

**ML-RGB27W**



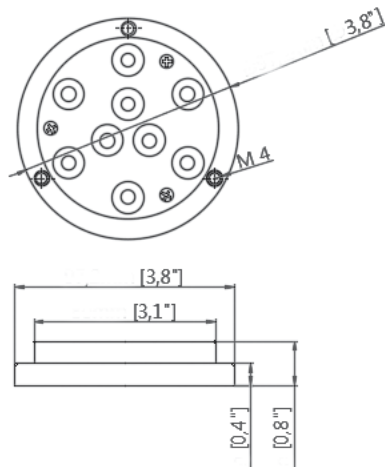
**INPUT VOLTAGE:** 10-30V DC

**HOUSING MATERIAL:** Stainless steel 316

**MOUNT:** Surface



# TRANSOM LED LIGHTS



**NEW**

**★ IP68 ★  
CERTIFIED**

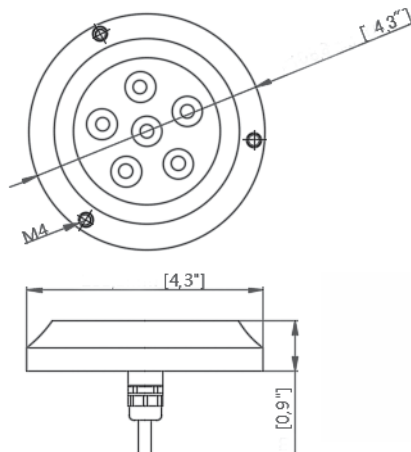
## 27W UNDERWATER TRANSOM LIGHT

**WHITE OR BLUE**

- (9) 3-watt LEDs

**ML-WHT27W** White

**ML-BLU27W** Blue



**NEW**

**★ IP68 ★  
CERTIFIED**

## 72W UNDERWATER TRANSOM LIGHT

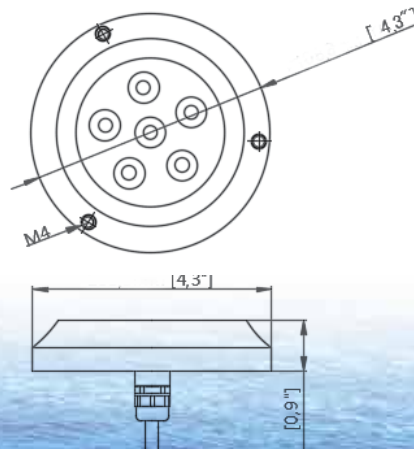
**RGBW**

- (6) 12-watt LEDs
- 5-wire RGBW

**ML-RGBW72W**



RGBW  
LEDS



**NEW**

**★ IP68 ★  
CERTIFIED**

## 54W UNDERWATER TRANSOM LIGHT

**RGB**

- (6) 9-watt LEDs
- 4-wire RGB

**ML-RGB54W**



RGB LEDS

**INPUT VOLTAGE:** 10-30V DC

**HOUSING MATERIAL:** Stainless steel 316

**MOUNT:** Surface

# TRANSOM LED LIGHTS

**NEW**

**★ IP68 ★  
CERTIFIED**

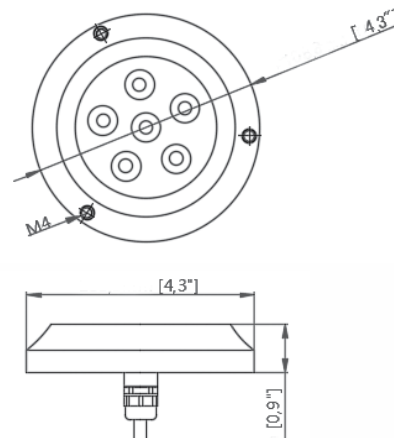
## 30W UNDERWATER TRANSOM LIGHT

**WHITE OR BLUE**

- (6) 5-watt LEDs

**ML-WHT30W** White

**ML-BLU30W** Blue



**NEW**

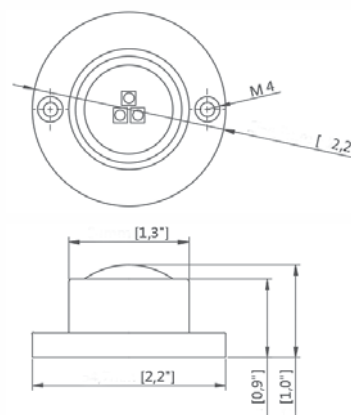
**★ IP68 ★  
CERTIFIED**

## 15W UNDERWATER TRANSOM LIGHT

**RGB**

- (3) 5-watt LEDs
- 4-wire RGB

**ML-RGB15W**



**NEW**

**★ IP68 ★  
CERTIFIED**

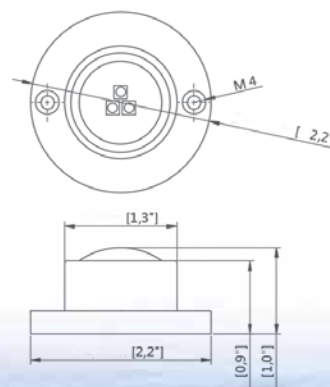
## 15W UNDERWATER TRANSOM LIGHT

**WHITE OR BLUE**

- (3) 5-watt LEDs

**ML-WHT15W** White

**ML-BLU15W** Blue

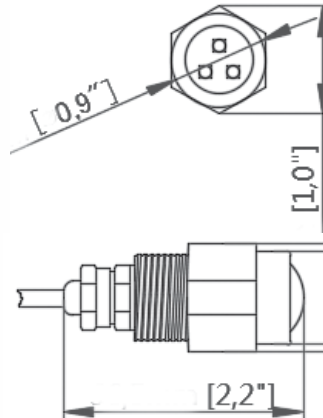


**INPUT VOLTAGE:** 10-30V DC

**HOUSING MATERIAL:** Stainless steel 316

**MOUNT:** Surface

# DRAIN PLUG LED LIGHTS



**NEW**

**★ IP68 ★  
CERTIFIED**

## 9W SMALL DRAIN PLUG LIGHT

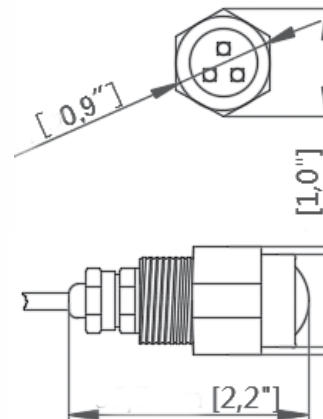
**RGB**

- (3) 3-watt LEDs
- 4-wire RGB



RGB LEDs

**ML-DLRGB9W**



**NEW**

**★ IP68 ★  
CERTIFIED**

## 9W SMALL DRAIN PLUG LIGHT

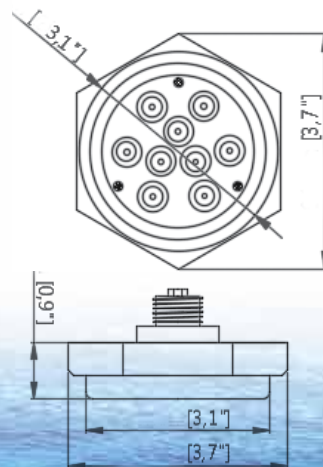
**WHITE, BLUE OR GREEN**

- (3) 3-watt LEDs

**ML-DLWHT9W** White

**ML-DLBLU9W** Blue

**ML-DLGRN9W** Green



**NEW**

**★ IP68 ★  
CERTIFIED**

## 27W LARGE DRAIN PLUG LIGHT

**RGB**

- (9) 3-watt LEDs
- 4-wire RGB



RGB LEDs

**ML-DLRGB27W**

**INPUT VOLTAGE:** 10-30V DC

**HOUSING MATERIAL:** Brass  
or 316 stainless steel

**MOUNT:** 1/2" NPT threads  
no drilling required

# RGB ACCENT LIGHTS



**NEW**

## 8 GANG SWITCH PANEL

This 8-gauge switch panel system allows you to control 8 auxiliary LED lights or electrical devices. You can now customize your switch panel according to your needs with 50 switch stickers, blue LED lights for back lighting and multi-position installation (2 Brackets for panel, 1 Bracket for control box, 60 amp circuit breaker and 7-gauge tinned copper battery cables).

**HE-SWP8**

### FEATURES

- 8 gang switch panel
- Control box with cover
- Selectable switch operation; latching or momentary
- 50 switch labels
- 60 amp resettable circuit breaker
- 6 extra fuses
- Power harness
- Battery cables
- 2 switch panel brackets
- 1 control box bracket
- Mounting hardware, screws and zip tie included

### SPECS

- Input Voltage: 12V
- Power Handling: 600W
- Maximum Current: 60A
- Panel Material: Die-Cast Aluminum
- Control Box Material: Die-Cast Aluminum
- Control Box Cover: ABS Plastic
- Operating Temperature: - 40° F to 221° F
- Panel Size: 4.53"x 0.59"x 2.60"
- Circuit Box Size: 7.48"x1.34"x4.13"



### ACCENT LIGHTS KIT

**3 LED • 8 PODS • 1.5"X3"**

- LEDs: (3) 3-watt each (9W)
- Raw Lumens: 720lm

**★IP68★  
CERTIFIED**



RGB LEDES

The HE-8MLRGBK is a complete kit to light up your boat. (8) HE-ML1RGB RGB accent lights and the HE-CBRGB control box will give you accent lighting where you want it.

**HE-8MLRGBK**



### ACCENT LIGHTS KIT

**3 LED • 4 PODS • 1.5"X3"**

- LEDs: (3) 3-watt each (9W)
- Raw Lumens: 720lm

**★IP68★  
CERTIFIED**



RGB LEDES

Designed as a starter kit this allows you get the RGB lights in your boat without breaking the bank but also allows you add up to four more HE-ML1RGB lights.

**HE-4MLRGBK**



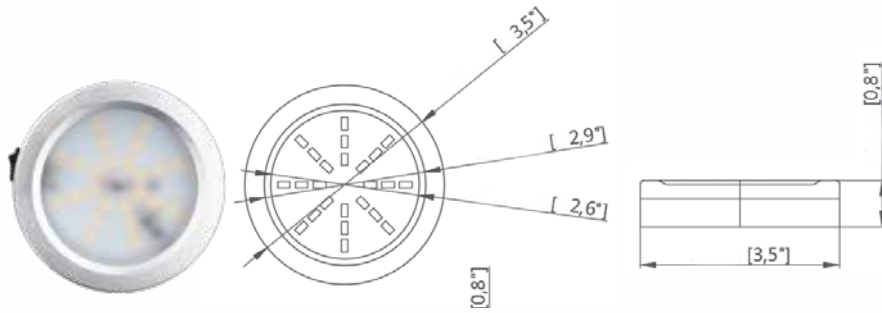
### HEISE RGB APP

#### APP FOR ANDROID AND IOS:

This app allows endless color choices and even allows you to store your custom made colors. Preset flash Patterns, light flashing to your music in your library, even have the lights turn on and off at selected times.



# INTERIOR CABIN LIGHT



**NEW**

**★ IP68 ★  
CERTIFIED**

## INTERIOR CABIN LIGHT WITH SWITCH

- (24) 3-watt LEDs
- Voltage 10-30V DC
- Aluminum housing
- Surface mount

**ML-CLWHT** White

**ML-CLBLU** Blue



## ACCENT LIGHTING PODS

**★ IP68 ★  
CERTIFIED**

### RGB ACCENT LIGHT

**3 LED • RGB POD • 1.5"X3"**

- LEDs: (3) 3-watt each (9W)

**HE-ML1RGB**



RGB LEDs



**★ IP68 ★  
CERTIFIED**

### ACCENT LIGHT

**3 LED • RGB POD • 1.5"X3"**

- Raw Lumens: White: 1200lm / Color: 720lm

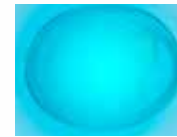
**HE-ML1**



**HE-ML1R** Red



**HE-ML1A** Amber



**HE-ML1B** Blue



**HE-ML1G** Green

## ADDITIONAL ACCESSORIES



**HE-ML1DIV**

### ACCENT LIGHTING COVER

The light cover is for use with the HE-4MLRGBK, HE-8MLRGBK, HE-ML1RGB

**INPUT VOLTAGE:** 10-30V DC

**BEAM PATTERN:** Flood 120°

**HOUSING MATERIAL:**  
White Die-cast Aluminum

**COLOR:** White coating with UV

**LENS MATERIAL:** PC

**MOUNTING:** Surface

**HARDWARE:** Stainless steel 316

**OPERATING TEMPERATURE:**  
-40°F to +140°F

**IP RATING:** IP68

# ACCENT LIGHTS ACCESSORIES



## ACCENT LIGHTING COVER

- The light cover is for use with the HE-4MLRGBK, HE-8MLRGBK, HE-ML1RGB

**HE-ML1DIV**



## MOUNTING BASE

- The angled base is for use with the HE-ML1, HE-ML1A, HE-ML1B, HE-ML1G, HE-ML1R

**HE-ARB1**



## CONTROL BOX

**★ IP68 ★  
CERTIFIED**

### 8 OUTPUT

- Control box for RGB lights
- Water-resistant control box
- Control box can be mounted in the engine compartment

**HE-CBRGB**



## PIGTAIL ADAPTER RGB ACCENT PODS

- This cable is designed to wire the RGB accent pods into any 4-wire positive anode RGB controller like the Heise HE-RGBC-1, HE-RGBSAC-1, HE-WFRGBC-1, and HE-RFRGBC-1

**HE-PTRGB**



## EXTENSION CABLE 10 FOOT

- The extension cable was designed to add an additional 10 feet of length to the accent pods which are already equipped with a 10 foot cable

**HE-EXTRGB**



## CAMERA BRACKET 3.5 INCH

- Can be attach to the BDR, DR or the SR series light bars
- Bracket accommodates most action cameras with the slide-to-lock mounting base.
- Color: Black
- Cover Material: Polycarbonate

**HE-ACB**



## DUAL ROW WITH MAGNETIC BASE 6 LED

- Wattage: 60W
- Raw Lumens: 726lm
- Lux @ 10M: 28.5
- Beam Pattern: 60° Flood
- Input voltage: 10-28V DC
- Color temperature: 6000K

**HE-PL1**



3.75"W x 3"H x .75"D

## WORK LIGHT 33 LED

- Wattage: 60W
- Raw Lumens: 726lm
- Lux @ 10M: 0.1
- Beam Pattern: 120° Flood
- Current Consumption @ 13.8V: .3 amps
- Lens design: Unique waffle

**HE-WL1**



## "Y" ADAPTER HARNESS KIT

- Allows two lightbars, driving lights, or work lights 240W or less

**HE-EYHK**

# LED STRIP LIGHTS



## RGB STRIP LED LIGHT KIT 5 METER 5050 RGB LEDs

- 5 meters (16.4ft) RGB 5050 LED strip
- 5050 SMD LEDs at 60 LEDs per meter
- One 24-key IR remote & RGB controller
- 3 amp power supply
- IP65 water-resistant covering

**H-RGB5MRK2**



BLUE



GREEN



RED



WHITE



WARM WHITE



## IP68 5050 LED STRIP LIGHTS 5 METER ROLL

- Water-resistant covering
- 3M double-sided tape provides a strong bond
- 120° viewing angle
- LED strips can be cut at every 3rd LED
- 5 meter strip only draws 4.5 amps of current
- IP68 rated waterproof light strip
- Mounts with brackets (included) instead of tape for secure mounting
- Anti-static packaging



- HE-B55068** Blue
- HE-G55068** Green
- HE-R55068** Red
- HE-W55068** White
- HE-WW55068** Warm white

## ALUMINUM TRACK FOR STRIP LED LIGHTS 3 FOOT SILVER ANODIZED

- Aluminum surface and flush mount track available in both clear and frosted covers for use with LED strip lights
- Provides decorative look and secure place to attach your LED strip lights
- Flush mount requires a 5/8" wide 1/4" deep opening
- Hardware included



**HE-ATCL** Clear surface



**HE-ATFL** Frosted surface



**HE-AFMTCL** Clear flush



**HE-AFMTFL** Frosted flush

# WHIPS



**NEW**

## DANCING LED RGB WHIPS

**4 FOOT • SMART PHONE CONTROLLED**

- 147 LEDs/60 per meter/3 amps
- IPX5 Rating

### MPS-CRGBWHIP4

- Mount on any boat or off-road vehicle: ATVs/UTVs, Jeeps, trucks, etc
- Easy to install/uninstall with quick release mounting base
- Included orange flag and clips for safety

**NEW**

## DANCING LED RGB WHIPS

**6 FOOT • SMART PHONE CONTROLLED**

- 227 LEDs/60 per meter/4 amps
- IPX5 Rating

### MPS-CRGBWHIP6

**INPUT VOLTAGE:** 9-16V DC

**LED LIFE:** 50,000 hours

**BASE:** Aluminum, black anodized, quick release design

**RF REMOTE:** Included

## WHIP MOUNT

**DESIGNED TO WORK WITH ROLL CAGES**

- Comes with 1.5", 1.75", 1.875" & 2" rubber inserts
- Milled aluminum
- Powder coated gloss black
- Adjusts to fit most angles

### MPS-WHIPM







## MARINE RADIO HOUSING

### PRE-WIRED SURFACE MOUNT

- White molded UV-resistant polycarbonate
- Smoke tinted door - spring-loaded with retention hinge
- Pre-wired for easy installation
- Stainless steel mounting hardware included
- Housing only - radio not included

**99-9006**



## MARINE RADIO COVER

### TRANSPARENT SMOKE TINTED DOOR

- Black or white finished base
- Magnetic latch - No push buttons to break or stick
- Magnetic seal held in place with 3M adhesive
- Retention hinged so the door will stay open
- No other marine cover uses this style of hinge
- Universal design accommodates most DIN head units
- High-temp and UV resistant polycarbonate construction
- Stainless steel mounting hardware included

**99-9003W** White base

**99-9003B** Black base



## MARINE RADIO COVER

### TRANSPARENT SMOKE TINTED DOOR

- Black or white finished base
- Positive spring-loaded retention lock
- Longer life, heavy-duty, low-friction hinges
- Dual spring support while cover is open
- Accu-view tinted cover

**99-9005** White base

**99-9005B** Black base



## MARINE AMPLIFIED GLASS MOUNT ANTENNA

- Deluxe high performance windshield or glass mount amplified antenna
- Mount on windshield behind mirror or on fixed side/back windows - 14-9/16" (37cm) width
- Gain FM - 10db/12db, AM -5db/2db
- 95" cable

**44-MAUA200**



## WHITE MARINE RUBBER ANTENNA

- Side/top mount for 1" (25mm) hole split ball
- 14" (36cm) removable white conductive rubber mast
- 54" (137cm) cable

**44-MAUS07R**

# OVERHEAD CONSOLES

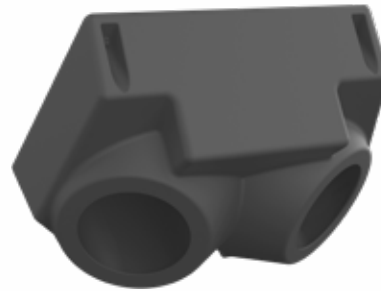


## OVERHEAD CONSOLE

### SINGLE-DIN | UNIVERSAL

- Easy install
- Automotive/marine grade ABS with UV
- Single-DIN opening or without for customized gauge mount
- Water-resistant
- Accommodates one radio device and two speakers
- Paintable for custom install
- OH-DIN01 has Single-DIN radio cut out

**OH-UNI01/OH-DIN01**



## OVERHEAD CONSOLE

### SINGLE-DIN AND DOUBLE-DIN | UNIVERSAL

- Made from durable ABS plastic
- 2 speaker cutouts for 6.5" - 6.75" speakers
- Single and Double-DIN radio templates included
- Will accommodate: Single-DIN radios/Double-DIN radios, marine media units, Bluetooth® receivers, gauges, dome lights, switches, etc.
- Mounting hardware included

**OH-UNI02**

# BLUETOOTH® AUDIO RECEIVERS



## AUDIO RECEIVER

### BLUETOOTH® MODULE NO DISPLAY

- Remote turn on comes on when streaming media
- Water-resistant
- Upgrade existing non-Bluetooth® radio
- Automatically reconnects with the last Bluetooth® device
- RCA output

**IBR64**



## AUDIO RECEIVER

### FLUSH MOUNT DISPLAY BLUETOOTH® MODULE

- 1-1/8" mounting hole required
- Water-resistant, AUX input
- Remote turn on comes on when streaming media
- Independent volume and track controls

**IBR65**



**NEW**

## **WATER-RESISTANT BLUETOOTH® SPEAKER**

### **UNIVERSAL**

- Blue LED back-lit control panel 3"x2", with IP66 water-resistant rating
- Built-in FM radio tuner, with auto search and save
- USB input to play MP3/WMA/WAV music with 1 amp device charging
- Pair of 3" water-resistant speakers included, peak stereo output power: 2x20W
- Suitable for DC 12V

**MPS-SBSMP3**

## **VOLTMETER**

### **DIGITAL**

- Snap-in panel with 3.5/USB/voltmeter
- Provides 2.1 amp 5V charging
- 3.5mm is pass-through

**MPS-35USBV**



# SPEAKER ACCESSORIES



## SILICONE SPEAKER BAFFLES

### 2 PIECE SILICONE BAFFLE KIT

Pkg/pair 6.5"	<b>IBSBF65</b>	Bulk/pair pkg 6.5"	<b>IBSBF65-B</b>
Pkg/pair 5.25"	<b>IBSBF525</b>	Pkg/pair 6x9"	<b>IBSBF69</b>
Bulk/pair 6x9"	<b>IBSBF69-B</b>	Pkg/pair 8"	<b>IBSBF80</b>



## MODULAR SUB GRILLE HARDWARE INCLUDED

- Powder coated, heavy-duty mounting bases
- Steel protection arms with satin nickel finish

**EMSG02**



## VERTEX/XTC ACOUSTIC BAFFLES

### 2 PIECE BAFFLE KIT

4" shallow round	<b>VXT42</b>	6.5" round large frame	<b>VXT60</b>
4"x6" shallow oval	<b>VXT462</b>	6" round shallow large frame	<b>VXT62</b>
4"x6" oval	<b>VXT46</b>	6.5" round small frame	<b>VXT65</b>
5" round shallow	<b>VXT52</b>	6"x8" oval standard	<b>VXT68</b>
5" to 5.25" round	<b>VXT55</b>	6"x9" oval	<b>VXT69</b>
5"x7" oval	<b>VXT52</b>	8" round standard	<b>VXT80</b>



## IB ACOUSTIC BAFFLES

### 2 PIECE BAFFLE KIT

4" round shallow	<b>IBBAF42</b>
4"x6" oval small frame	<b>IBBAF462</b>
4"x6" oval	<b>IBBAF46</b>
5" round shallow	<b>IBBAF52</b>
5.25" round standard	<b>IBBAF55</b>
5"x7" oval	<b>IBBAF57</b>
6" round shallow	
large frame	<b>IBBAF62</b>
6.5" round small frame	<b>IBBAF65</b>
6"x8" oval	<b>IBBAF68</b>
6.5" round large	<b>IBBAF60</b>
6"x9" oval	<b>IBBAF69</b>
8" round standard	<b>IBBAF80</b>



## WAFFLE GRILLE WITH HARDWARE

8" waffle grille	<b>85-9008</b>
10" waffle grille	<b>85-9010</b>
12" waffle grille	<b>85-9012</b>
15" waffle grille	<b>85-9015</b>
Woofer hardware	<b>85-HDW1</b>
Woofer clips	<b>85-HDW2</b>



## MESH SNAP ON GRILLE WITH PLASTIC RING

4" metal mesh	<b>SMG4</b>
5.25" metal mesh	<b>SMG525</b>
6.5" metal mesh	<b>SMG65</b>
8" metal mesh	<b>SMG8</b>
10" metal mesh	<b>SMG10</b>



## SPEAKER PLUGS SUBWOOFER GRILLE

Water-resistant speaker plugs, male and female, 18-gauge input

**JW4136**

# POWER & SPEAKER WIRE



**FULLY TINNED  
VIRGIN COPPER  
CONSTRUCTION**

## V/O POWER WIRE SPOOLS

- Meets CEA and ANSI specs
- Full tinned virgin copper construction
- High strand count for max flex
- PVC blended jacket
- BC-5W2 marine compliant

### 1/0 AWG

50 ft.	15.24 m	matte pearl
50 ft.	15.24 m	matte black
50 ft.	15.24 m	matte red

**V10PW-1050  
V10GW-1050  
V10PW-1RD50**

### 4 AWG

100 ft.	30.48 m	matte pearl
100 ft.	30.48 m	matte black
100 ft.	30.48 m	matte red

**V10PW-4100  
V10GW-4100  
V10PW-4RD100**

### 8 AWG

250 ft.	76.20 m	matte pearl
250 ft.	76.20 m	matte black
250 ft.	76.20 m	matte red

**V10PW-8250  
V10GW-8250  
V10PW-8RD250**

## V10 SPEAKER WIRE SPOOLS

- Meets CEA and ANSI specs
- Fully tinned virgin copper construction
- High strand count for max flexibility
- Ultra-flexible PVC blended jacket
- BC-5W2 marine compliant

### 12 AWG

125 ft.	38.10 m	black
125 ft.	38.10 m	white/black

**V10SW12125-BK  
V10SW12125-WB**

### 16 AWG

250 ft.	76.20 m	black
500 ft.	152.4 m	black
250 ft.	76.20 m	white/black
500 ft.	152.4 m	white/black

**V10SW16250-BK  
V10SW16500-BK  
V10SW16250-WB  
V10SW16500-WB**



**FULLY TINNED  
VIRGIN COPPER  
CONSTRUCTION**

# FUSE HOLDER/DISTRIBUTION BLOCKS



NEW

## MANL FUSE HOLDER

2-4GA/8GA INPUT/OUTPUT

- Water-resistant rubber grommet

VMANL



NEW

## 4-POSITION MANL FUSE DISTRIBUTION BLOCK

- 1-1/0GA input 4-4GA output

VFDB4



NEW

## 4-POSITION DISTRIBUTION BLOCK

- 1-1/0GA input 4-4GA output

VDB4



NEW

## 4-POSITION MANL FUSE DISTRIBUTION BLOCK

POWER/GROUND

- Positive: 2-1/0GA input 4-4GA output
- Negative: 1-1/0GA input 4-4GA output

VPNB4

**FINISH:** Brass machine with satin gunmetal finish

**MATERIAL:** TORX hardware with gate lock set screw

# AUDIO/VIDEO CABLES



## AMP INSTALLATION KITS

- Meets CEA and ANSI specification for wire gauge
- Fully tinned virgin copper construction
- High strand count for maximum flexibility
- BC-5W2 marine compliant RCA, speaker, power and ground wire
- Compact brass fusing and distribution

**1/0 AWG AMP KIT** 5200W **V10-RAK1-0**

**4 AWG AMP KIT** 2100W **V10-RAK4**

**8 AWG AMP KIT** 800W **V10-RAK8**

## 6-CHANNEL RCA AUDIO CABLES

17ft (5.18 m)

- Dual twist for improved noise rejection
- Ultra-flexible PVC blended jacket
- Patented high tolerance compact machined metal end
- Quad split tip for maximum contact area
- Fully tinned wire to the entire V10 line.
- Made with BC-5W2 marine grade cable
- Packaged in high-end retail box

**V10R176**



## V10 RCA AUDIO CABLES

- Dual twist for improved noise rejection
- Ultra-flexible PVC blended jacket
- Patented high-tolerance, compact machined metal end
- Quad split tip for maximum contact area
- Made with BC-5W2 marine grade cable
- Packaged in high-end retail box

### 2-CHANNEL

1.5 ft	0.45 m	<b>V10R1-5</b>
3 ft	0.91 m	<b>V10R3</b>
6 ft	1.83 m	<b>V10R6</b>
10 ft	3.05 m	<b>V10R10</b>
14 ft	4.27 m	<b>V10R14</b>
17 ft	5.18 m	<b>V10R17</b>
20 ft	6.10 m	<b>V10R20</b>
Y-1	1f-2m	<b>V10RY1</b>
Y-2	1m-2f	<b>V10RY2</b>



### 4-CHANNEL

17 ft.	5.18 m	<b>V10R174</b>
--------	--------	----------------

## VIDEO CABLES

- True 75-ohm video cable
- Ultra-flexible PVC blended jacket
- Patented high-tolerance, compact machined metal end
- Quad split tip for maximum contact area
- Made with BC-5W2 marine grade cable
- Packaged in high-end retail box

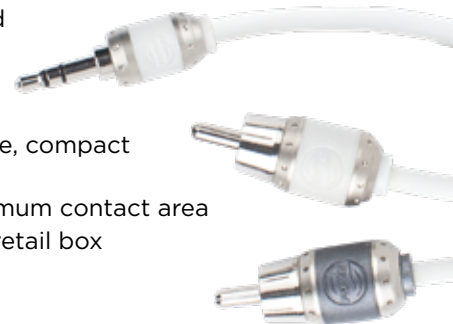
### SINGLE CHANNEL

17 ft.	5.18 m	<b>V10R174</b>
--------	--------	----------------



## 3.5MM TO RCA AUDIO

- Dual twist for improved noise rejection
- Ultra-flexible PVC blended jacket
- Patented high-tolerance, compact machined metal end
- Quad split tip for maximum contact area
- Packaged in high-end retail box



### 2-CHANNEL

6 ft.	1.83 m	<b>V10R3V</b>
-------	--------	---------------

# HDMI® CABLES

**4K HDR**  
**24 GBPS**  
**4X6 GBPS**  
**CL FT.4 RATED**

**IMPROVED DESIGN**

## MHX HDMI® CABLES HDMI ETHERNET INCLUDED

- Multi-layer shielding
- 24K gold plated contact connectors
- Supports eARC and ARC
- Digital Performance Labs (DPL) tested



- .5M** High speed + ethernet, 24Gbps
- 1M** High speed + ethernet, 24Gbps
- 2M** High speed + ethernet, 24Gbps
- 3M** High speed + ethernet, 24Gbps
- 4M** High speed + ethernet, 24Gbps
- 5M** High speed + ethernet, 24Gbps
- 6M** High speed + ethernet, 24Gbps
- 7M** High speed + ethernet, 24Gbps
- 8M** High speed\* + ethernet, 10.2Gbps
- 10M** High speed\* + ethernet, 10.2Gbps
- 12M** High speed\* + ethernet, 10.2Gbps
- 15M** High speed\* + ethernet, 6.75Gbps
- 17M** High speed\* + ethernet, 6.75Gbps

\* 24Gbps achieved with use of the HDM-GA1 or HDM-GA2 (sold separately)

- MHX-LHDME-5**
- MHX-LHDME1**
- MHX-LHDME2**
- MHX-LHDME3**
- MHX-LHDME4**
- MHX-LHDME5**
- MHX-LHDME6**
- MHX-LHDME7**
- MHX-LHDME8**
- MHX-LHDME10**
- MHX-LHDME12**
- MHX-LHDME15**
- MHX-LHDM17**

**4K HDR**  
**24 GBPS**  
**4X6 GBPS**  
**CL FT.4 RATED**

**IMPROVED DESIGN**

## HDMI® CABLES HDMI ETHERNET INCLUDED

- Multi-layer shielding
- 24K gold plated contact connectors
- Audio Return Channel (ARC)
- Digital Performance Labs (DPL) tested



- .5M** High speed + ethernet, 18Gbps
- 1M** High speed + ethernet, 18Gbps
- 2M** High speed + ethernet, 18Gbps
- 3M** High speed + ethernet, 18Gbps
- 4M** High speed + ethernet, 18Gbps
- 5M** High speed + ethernet, 18Gbps
- 6M** High speed + ethernet, 18Gbps
- 7M** High speed + ethernet, 18Gbps
- 8M** High speed + ethernet, 18Gbps
- 10M** High speed + ethernet, 18Gbps
- 12M** High speed + ethernet, 18Gbps
- 15M** High speed + ethernet, 10.2Gbps

- MHY-LHDME-5**
- MHY-LHDME1**
- MHY-LHDME2**
- MHY-LHDME3**
- MHY-LHDME4**
- MHY-LHDME5**
- MHY-LHDME6**
- MHY-LHDMER7**
- MHY-LHDMER8**
- MHY-LHDMER10**
- MHY-LHDMER12**
- MHY-LHDMER15**



### HDMI® ACCELERATOR

- 18 Gigabit Accelerator for passive HDMI® cables
- Works with cables up to 15 m
- Powered by a USB cable
- Small, easy to install

**HDM-GA1**



### GIGABIT ACCELERATOR

- 12Gbps bandwidth x 4 channels up to 9 m
- Extends 18 Gbps capability up to 20 meters & 48 Gbps capability anticipated up to 9 meters
- Supports all features of the new HDMI 2.0b & 2.1 specification

**HDM-GA2**



### HDMI® EDID REGENERATOR

- HDCP 2.2 support
- HDR, deep color & BT 2020 support
- RF shielded metal case
- 50% typical reduction in data rise times
- Solves: audio dropouts, HDCP not supported, mode not supported and mode out of range

**HDM-JR3**





**NEW**

## HDMI® SPLITTER 1 INPUT / 2 OUTPUTS

- Supports HDMI 2.0 and HDCP 2.2 (and earlier versions)
- Supports 1080p, 3D, 4K/60Hz 4:4:4 up to 18Gbps
- Built in scaling and EDID management to allow multiple resolutions simultaneously
- All HDR formats supported

**CS-1X2HMSPL5**



**NEW**

## HDMI® SPLITTER 1 INPUT / 4 OUTPUTS

- Supports HDMI 2.0 and HDCP 2.2 (and earlier versions)
- Supports 1080p, 3D, 4K/60Hz 4:4:4 up to 18Gbps
- Built in scaling and EDID management to allow multiple resolutions simultaneously
- All HDR formats supported

**CS-1X4HMSPL5**



## HDMI® SWITCH 3 SOURCES / 1 OUTPUT

- Supports HDMI 2.0 and HDCP 2.2 (and earlier versions)
- Supports 1080p, 3D, 4K/60Hz up to 18Gbps
- Supports all HDR formats
- Supports control with IR & RS232

**CS-HDM3X1SW4**



## HDMI® SWITCH 5 SOURCES / 1 OUTPUT

- Supports HDMI 2.0 and HDCP 2.2 (and earlier versions)
- Supports 1080p, 3D, 4K/60Hz up to 18Gbps
- Supports all HDR formats
- Supports control with IR & RS232

**CS-HDM5X1SW4**



## HDMI® 70 METER EXTENDER

### HDBASET 70M OVER SINGLE CAT6

- Supports HDMI 2.0 & HDCP 2.2 (and earlier versions)
- Resolutions supported: up to 4k/30Hz 4:4:4
- HDR support
- Compatible with CAT5e/CAT6/CAT6A
- Transmission distance: 1080P up to 70m; 4K/30 up to 40 m over CAT6
- Supports bi-directional IR 20-60Hz with included US standard IR receiver & emitter
- Power from single side
- Wall mountable with integrated mounting tabs

**CS-HDBTLPOEU-70**



## HDMI® POE EXTENDER OVER SINGLE CAT6

- Carries HDMI signals up to 50 meters over single CAT6
- 7 built-in adjustable EDID settings
- HDMI loop out on transmitter
- Includes IR blaster & IR receiver
- Power only required on single side

**CS-HDC5EXTSRPOE**

# BATTERIES



## 12V MARINE BATTERY 785 CRANK AMPS • 120 MIN RESERVE 55 AMP HOURS

- AGM technology (Absorbed Glass Mat)
- 12V marine grade battery
- Threaded and standard posts
- Can be discharged and recharged 100's of times

### SK-MBT-55

WEIGHT	WIDTH	HEIGHT	DEPTH
42.5LBS 19.3KG	10.75" 273MM	6.89" 175MM	6.61" 168MM



## 12V MARINE BATTERY 800 CRANK AMPS • 190 MIN RESERVE 100 AMP HOURS

- AGM technology (Absorbed Glass Mat)
- 12V marine grade battery
- Threaded and standard posts
- Can be discharged and recharged 100's of times

### SK-MBT-100

WEIGHT	WIDTH	HEIGHT	DEPTH
68.3LBS 31KG	13" 330MM	8.54" 217MM	6.85" 174MM

## NEW

### SMART BATTERY ISOLATORS

- Charge your auxiliary power while driving
- Cost effective protection against a flat start battery

80 amp	<b>IB-SRL80</b>
200 amp	<b>IB-SRL200</b>
500 amp	<b>IB-SRL500</b>



# BUS BARS

### BRASS BUS BAR BLOCK GATE-LOCK TECHNOLOGY

- Standard 5mm set screws
- High quality ABS protective cover
- Includes inserts for positive and negative terminal
- Includes wire trim inserts
- Accepts 10 to 0 gauge wire
- 6 mounting points



### SK-TML-BLK

### BRASS BUS BAR PLATE FOR RING TERMINALS

- Standard 5mm set screws
- Includes inserts for positive and negative terminal
- Includes wire trim inserts
- Accepts up to 0 gauge ring terminals
- 6 mounting points



### SK-TML-PL



## POWER SUPPLY

- LED light, switchable outputs between smart charging and single fixed voltage (which can be set between 13volts and 16.5volts)
- Built-in 4 stage smart charger
- Deck mount converter
- UL-CUL approved
- Quiet internal fan cooling
- Overtemp protection
- Reverse polarity protection
- (PFC) Power Factor Correction
- More efficient and clean power supply

## 35 AMP POWER SUPPLY

- 35 amp power supply
- 430 watts max output
- 5 amps max AC current @ 108VAC

**IBPS35**

## 55 AMP POWER SUPPLY

- 55 amp power supply
- 780 watts max output
- 7 amps max AC current @ 108VAC

**IBPS55**

## 75 AMP POWER SUPPLY

- 75 amp power supply
- 1065 watts max output
- 12 amps max AC current @ 108VAC

**IBPS75**

## 100 AMP POWER SUPPLY

- 100 amp power supply
- 1440 watts max output
- 13 amps max AC current @ 108VAC

**IBPS100**

**SIZE:** 10.5" Dx3.5" Hx7.2" W

**DC OUTPUT VOLTAGE:** 13.6V/14.4 (DC)

**OUTPUT VOLTAGE TOLERANCE:** + or - .7%

**INPUT VOLTAGE:** 105-135 AC

# TRAILER LED LIGHTS

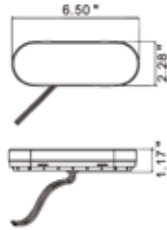


NEW

## OVAL TRAILER LED LIGHT

6 INCH • 14 LED

- 14 red LEDs: Stop, turn, taillight functions
- Sonically sealed, weather-resistant
- PL-3 connector
- 6" rubber grommet
- PMMA lens and ABS housing
- FMVSS S2 T2 I6 / I6 / R
- @12VDC .06A for taillight



HE-TR6001

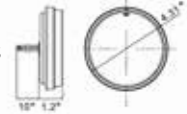


NEW

## ROUND TRAILER LED LIGHT

4 INCH • 14 LED

- 14 red LEDs: Stop, turn, taillight functions
- PL-3 connector with grommet
- Sonically sealed, weather-resistant
- PMMA lens and ABS housing
- FMVSS S2 T2 I6 / I6 / R
- @ 12VDC .38A for stop/turn LEDs



HE-TR4001

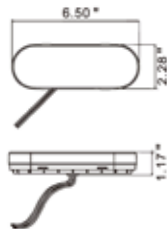


NEW

## OVAL TRAILER LED LIGHT

6 INCH • 14 LED

- 14 amber LEDs: Turn functions
- Sonically sealed, weather-resistant
- PL-3 connector
- 6" rubber grommet
- PMMA lens and ABS housing
- FMVSS S2 T2 I6 / I6 / R
- @12VDC .06A for taillight



HE-TR6002

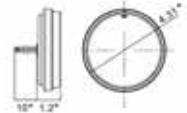


NEW

## ROUND TRAILER LED LIGHT

4 INCH • 14 LED

- 14 amber LEDs: Turn functions
- PL-3 connector with grommet
- Sonically sealed, weather-resistant
- PMMA lens and ABS housing
- FMVSS S2 T2 I6 / I6 / R
- @12VDC .06A for turn



HE-TR4002

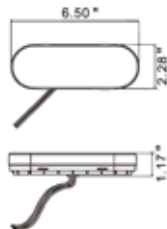


NEW

## OVAL TRAILER LED LIGHT

6 INCH • 14 LED

- 14 white LEDs: Backup function
- Sonically sealed, weather-resistant
- PL-3 connector
- 6" rubber grommet
- PMMA lens and ABS housing
- FMVSS S2 T2 I6 / I6 / R
- @12VDC .24A for backup



HE-TR6001

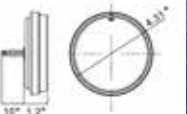


NEW

## ROUND TRAILER LED LIGHT

4 INCH • 14 LED

- 14 white LEDs: Backup functions
- PL-3 connector with grommet
- Sonically sealed, weather-resistant
- PMMA lens and ABS housing
- FMVSS S2 T2 I6 / I6 / R
- @12VDC .24A for backup



HE-TR4003



## ALL COPPER TRAILER WIRE 100 FOOT SPOOLS

- Wire recommended for RV, boats and utility trailers

### 3-CONDUCTOR TRAILER WIRE

- 14 gauge brown/green/yellow
- 16 gauge brown/green/yellow
- 18 gauge brown/green/yellow

**TWBGY14100**  
**TWBGY16100**  
**TWBGY18100**

### 4-CONDUCTOR TRAILER WIRE

- 14 gauge brown/green/yellow/white
- 16 gauge brown/green/yellow/white
- 18 gauge brown/green/yellow/white

**TWBGYW14100**  
**TWBGYW16100**  
**TWBGYW18100**

### 2-CONDUCTOR TRAILER WIRE

- 14 gauge black/red
- 16 gauge black/red
- 18 gauge black/red

**TWBKRD14100**  
**TWBKRD16100**  
**TWBKRD18100**

## ALL COPPER JACKETED PRIMARY WIRE 100 FOOT SPOOLS

- Wire recommended for auto, truck, construction and light marine
- Heavy-duty PVC outer jacket is abrasion-resistant and protects against moisture, oil, acid and salt

### 2-CONDUCTOR

- 8 gauge black/white
- 10 gauge black/white
- 12 gauge black/white
- 14 gauge black/white
- 16 gauge black/white

**JPWBW8100**  
**JPWBW10100**  
**JPWBW12100**  
**JPWBW14100**  
**JPWBW16100**

### 3-CONDUCTOR

- 10 gauge black/green/white
- 12 gauge black/green/white
- 14 gauge black/green/white
- 16 gauge black/green/white

**JPWBGW10100**  
**JPWBGW12100**  
**JPWBGW14100**  
**JPWBGW16100**

### 4-CONDUCTOR

- 10 gauge black/green/red/white
- 12 gauge black/green/red/white
- 14 gauge black/green/red/white
- 16 gauge black/green/red/white

**JPWBGW16100**  
**JPWBGRW12100**  
**JPWBGRW14100**  
**JPWBGRW16100**

## COPPER JACKETED PRIMARY WIRE

### 100 FOOT SPOOLS

- 6x14 gauge
- 4x14 gauge, 3x12 gauge

**JPW6100**

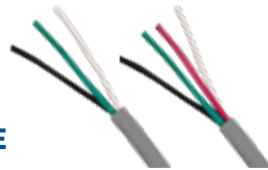


## BULK TRAILER WIRE COLORS

### 500 FOOT SPOOLS • 18GA

- GPT is designed for electrical usage in fleet vehicles
- PVC coated high temp rated

Red	<b>US18500R</b>
Blue	<b>US18500BL</b>
Brown	<b>US18500BR</b>
Green	<b>US18500GR</b>
Orange	<b>US18500OR</b>
Purple	<b>US18500PL</b>
White	<b>US18500WT</b>
Yellow	<b>US18500YL</b>



## ALL COPPER TRAILER WIRING PLUGS

Connectors that allow the basic hook up of the three lighting functions (running, turn and brake lights) plus one pin is provided for a ground wire (IBTH4P). One pin is available to provide support for another.

- 4-way 18 gauge
- 5-way 18 gauge

**IBTH4P**  
**IBTH5P**



## ALL COPPER TRAILER HARNESS

### 12GA, 16GA, 8 PIN 72" • 5 PIECES

For custom harness applications

- 12 gauge = red, white, black
- 16 gauge = yellow, brown, green, blue, gray

**IBTH8P72**



# TRAILER WIRING



## ALL COPPER HOOK UP WIRE

### 1 FOOT • 2-PIN

- All copper
- Red/black

12 gauge	<b>IBTH12</b>
16 gauge	<b>IBTH16</b>
18 gauge	<b>IBTH18</b>



## TRAILER CONNECTORS

### BLACK PVC HOUSING WITH COPPER INTERNALS

6-pin round/4-way flat	<b>IBT-E01</b>
7-pin round/6-way flat	<b>IBT-E02</b>
7-way blade/4-way flat	<b>IBT-E03</b>
7-way blade/5-way flat	<b>IBT-E04</b>
7-way blade to trailer end	<b>IBT-E05</b>
7-way blade to vehicle end	<b>IBT-E06</b>
7-way blade 12volt led tester	<b>IBT-E07</b>
Mounting bracket	<b>IBT-E08</b>

# INSTALLATION ACCESSORIES

## PANEL SWITCHES

**CERTIFIED, UPGRADED SWITCHES - @24VOLTS = 10AMPS  
@12VOLTS = 20AMPS**

- 4-switch panel with UNI switches
- 6-switch panel with UNI switches
- 2-pin on-off switch no LED
- 7-pin winch switch in-out with 2 blue LEDs
- 6-pin winch switch in-out with no LEDs
- 3-pin on-off switch with red LED
- 3-pin radio on-off switch with red LED
- 6-pin winch switch in-out with blue LED

- IBSP4**
- IBSP6**
- IBSS**
- IBSS2L**
- IBSS6P**
- IBSSL**
- IBSSR**
- IBSSWB**



## 12V RELAY 5-PIN

- 12/16 gauge
- Water-resistant

**IBW-E123H**



## GRAPHIC DISPLAY DIGITAL METER

- Mounting hole: 29.2 mm/1.15"

**IBR94** 24 volts (15V-30V)  
**IBR95** 12 volts



## 24V RELAY 5-PIN

- 12/16 gauge
- 30/40 amps
- Water-resistant

**IBW-24VRLH**



# INSTALLATION ACCESSORIES

## STAINLESS LATCHING SWITCHES ROUND

- Harness 3 amps
- IP67 water-resistant

Stainless	16 mm blue	<b>IBRSSB16</b>
Stainless	19 mm blue	<b>IBRSSB19</b>
Stainless	16 mm green	<b>IBRSSG16</b>
Stainless	19 mm green	<b>IBRSSG19</b>
Stainless	16 mm red	<b>IBRSSR16</b>
Stainless	19 mm red	<b>IBRSSR19</b>
Stainless	16 mm white	<b>IBRSSW16</b>
Stainless	19 mm white	<b>IBRSSW19</b>
Stainless	16 mm yellow	<b>IBRSSY16</b>
Stainless	19 mm yellow	<b>IBRSSY19</b>



## DUAL 4.2A USB 3.0 DUAL USB 2.1A

- 29.2mm/1.15"

Red	<b>IBR85</b>
White	<b>IBR86</b>
Blue	<b>IBR87</b>
Green	<b>IBR88</b>
Orange	<b>IBR89</b>



## USB & VOLTAGE ROUND VOLTAGE MONITOR

- LED display
- Water-resistant
- Snap in extension cable
- 1.5 meter length
- Mounting hole: 29.2mm/1.15"

**IBR92**



## VOLTMETER WITH CURRENT DIGITAL VOLTAGE MONITOR

- Universal fit
- Blue LED
- Mounting hole: 28.5mm/1.10"

**IBR93**



## USB SOCKET PASS THROUGH FLUSH MOUNT

- 12V/24V with water-resistant cover
- Direct to battery wiring & fused
- Connection

**IBR78**



## POWER SOCKET WATER-RESISTANT 12V POWER SOCKET

- Flush mount, 1-1/8" mounting hole required
- 0.250" power and ground lugs on back
- Use with optional mounts IBR59, IBR60 and IBR61

**IBR58**



## WATER-RESISTANT 3.5MM AUX-IN TO RCA-OUT

- Surface of flush mount AUX-in
- Mounting hole: 7/8"
- 2 meter cable

**IBR80**

# INSTALLATION ACCESSORIES



## DUAL USB MOUNT 12V MARINE LIGHTER SOCKET

- Dual 2.1A 5V USB
- IP65 Rating
- Water-resistant

**IBR79**



## CIRCUIT BREAKER MANUAL RESET USA COOPER BUSSMANN

50 amp	<b>CB50MR</b>
80 amp	<b>CB80MR</b>
100 amp	<b>CB100MR</b>
135 amp	<b>CB135MR</b>
150 amp	<b>CB150MR</b>



## CIRCUIT BREAKER AUTO RESET USA COOPER BUSSMANN

15 amp	<b>CB15AR</b>
20 amp	<b>CB20AR</b>
30 amp	<b>CB30AR</b>
40 amp	<b>CB40AR</b>
50 amp	<b>CB50AR</b>



## CIRCUIT BREAKER ECONOMY MANUAL RESET IP67 RATED

50 amp	<b>E-CB50MR</b>
60 amp	<b>E-CB60MR</b>
80 amp	<b>E-CB80MR</b>
100 amp	<b>E-CB100MR</b>
135 amp	<b>E-CB135MR</b>
150 amp	<b>E-CB150MR</b>
200 amp	<b>E-CB200MR</b>



## MINI CIRCUIT BREAKER

Miniature line-voltage circuit breakers. Push-to-reset, panel-mount design. For use in marine and control panels.

5 amp	<b>CBW57-PS-5A</b>
10 amp	<b>CBW57-PS-10A</b>
15 amp	<b>CBW57-PS-15A</b>
20 amp	<b>CBW57-PS-20A</b>
25 amp	<b>CBW57-PS-25A</b>
30 amp	<b>CBW57-PS-30A</b>



## MOUNTS

### PANEL/SURFACE/UNDERDASH

Panel mount for IBR56, IBR57 & IBR58	<b>IBR59</b>
Surface mount for IBR56, IBR57 & IBR58	<b>IBR60</b>
Underdash mount for IBR57 & IBR58	<b>IBR61</b>



## IN-LINE FUSE HOLDER

Mini	<b>LPM-04B-I-12R</b>
Regular	<b>LPR-04B-I-12R</b>
Micro II	<b>LPT-04B-I-12R</b>
Maxi	<b>LPX-04B-I-6R</b>



## FUSE HOLDERS

Mini ANL fuse holder **IBR51**  
**4GA INPUT/OUTPUT, 8GA REDUCERS INCLUDED**

ANL and mini ANL fuse holder **IBR52**  
**1/0GA INPUT/OUTPUT, 4GA REDUCERS INCLUDED**



## CIGARETTE LIGHTER PLUGS

### 10 AMP

• 2" leads	
Female plug retail package	<b>CLA</b>
12V plug female	<b>CIGF</b>
Male lighter plug	<b>CIGM</b>



# INSTALLATION ACCESSORIES



## AGU FUSE HOLDERS

AGU 8 gauge Bakelite **ATFH8CB**  
4/8 gauge ADJ **FHAGU**



## MAXI FUSE HOLDER

Each **MAXIFH**  
10/Bag **MAXIFH-10**



## ATC FUSE HOLDERS

**100/BAG**  
18 gauge w/cover **ATFH18C-10**  
16 gauge w/cover **ATFH16C-10**  
16 gauge no cover **ATFH16-10**

**10/BAG**  
14GA w/cover **ATFH14C-10**  
12GA w/cover **ATFH12C-10**  
10GA w/cover **ATFH10C-10**  
16/14GA wireless 3M **ATFH3M-10**



## ATC FUSE HOLDER

**10/BAG WITH COVER**  
ATM 18 gauge **ATFH18MC-10**  
ATM 16 gauge **ATFH16MC-10**  
ATM 12 gauge **ATFH12MC-10**



## MAXI HD FUSE HOLDER 4/8GA INPUT/OUTPUT

Maxi HD **MAXIHDH**



## AGU/ANL FUSE HOLDERS

**EACH**  
4/8 gauge ADJ **FHAGU**  
ANL, nickel, stud **ANLFH**  
size 5/16th

**10/BAG**  
4/8 gauge ADJ **WFHAGU**  
ANL, nickel, stud **ANLFH-10**  
size 5/16th



## MINI ANL FUSE HOLDER

**EACH**  
4/8GA ADJ nickel **FHMANL**  
4/8GA **MANLFH**

**10-PACK**  
4/8GA ADJ nickel **WFH-MANL**  
4/8GA **MANLFH-10**



## ATC FUSE HOLDER 12 GAUGE WIRE

- Water-resistant design with mounting tab on cover

**IBR62**



## DUAL ATC FUSE HOLDER SUPPORTS UP TO 8 GAUGE WIRE

- Mounting tab, supports up to 80 amps with two 40 amp fuses
- Water-resistant connector

**IBR63**



## MINI ANL FUSE HOLDER SUPPORTS UP TO 4 GAUGE WIRE

- Mini-ANL water-resistant fuse holder

- Marine-certified

**IBR81**

# FUSE BLOCKS



## STACKABLE FUSE PANEL ATC/ATM STACKABLE FUSE PANEL

- Acts as an in-line fuse holder with jumpers to create any distribution block
- Fused distribution or power ground as you need
- Max amp - 40 amps per circuit
- Maximum voltage - 32V DC

### ATMFP



## ATC FUSE BLOCK

6-position fuse block for use with regular auto blade fuses.

### BLC-106

Dust proof cover for BLC106

### BLC-106-C



## ATC FUSE BLOCKS

6-position fuse block with grounding pad. For use with regular auto blade fuses.

### BLC-106-G

Dustproof cover for BLC106G

### BLC-106-C



## ATC FUSE BLOCKS

8-position fuse block with grounding pad. For use with regular auto blade fuses.

### BLC-108-G

Dustproof cover for BLC108G

### BLC-108-C



## ATC FUSE BLOCKS

10-position fuse block with grounding pad. For use with regular auto blade fuses.

### BLC-110-G

Dustproof cover for BLC110G

### BLC-110-C



## ATC FUSE BLOCKS

12-position fuse block with grounding pad. For use with regular auto blade fuses.

### BLC-112-G

Dustproof cover for BLC112G

### BLC-112-C



## 10-POSITION FUSE BLOCK WITH INDICATING LEDs

For use with low-profile auto blade fuses.

### BLS-I-310



## LED ATM FUSE BLOCKS

4-position fuse block with indicating LEDs. For use with mini auto blade fuses.

### BLM-I-304



### LED ATM FUSE BLOCKS

6-position fuse block with indicating LEDs. For use with mini auto blade fuses.

**BLM-I-306**



### LED ATM FUSE BLOCKS

10-position fuse block with indicating LEDs. For use with mini auto blade fuses.

**BLM-I-310**



### LED ATC FUSE BLOCKS

New screw terminal design! 10-position fuse block with indicating LEDs. Screw terminals. For use with regular blade fuses.

**BLM-I-310**



### LED ATC FUSE BLOCKS

4-position fuse block with indicating LEDs. For use with regular auto blade fuses.

**BLR-I-304**



### LED ATC FUSE BLOCKS

6-position fuse block with indicating LEDs. For use with regular auto blade fuses.

**BLR-I-306**



### LED ATC FUSE BLOCKS

10-position fuse block with indicating LEDs. For use with regular auto blade fuses.

**BLR-I-310**



### LED ATC FUSE BLOCKS

New screw terminal design! 4-position fuse block with indicating LEDs screw terminals. For use with regular blade fuses.

**BLR-I-504**



### LED ATC FUSE BLOCKS

New screw terminal design! 6-position fuse block with indicating LEDs screw terminals. For use with regular blade fuses.

**BLR-I-506**



### ATC FUSE PANELS

**USA COOPER BUSSMANN**  
ATC fuse panel 30A 6 POS short base  
**15600-06-20**

ATC fuse panel 30A 6 POS long base  
**15600-06-21**

# HARDWARE



## BUTT CONNECTORS

### 25/BAG

Red & GA HS butt

**HSRBC8**

### 50/BAG

Yellow 12/10 HS butt

**HSYBC**

### 100/BAG

Yellow 24/26 HS butt

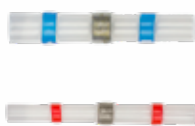
**HSYBCM**

Red 22/18 HS butt

**HSRBC**

Blue 16/14 HS butt

**HSBBC**



## HEAT SHRINK WITH SOLDER

### 10 PACK

HS blue butt conn w/solder  
16/14 gauge

**SHSBBC**

HS red butt conn w/solder

**SHSRBC**

22/18 gauge

HS white butt conn w/solder

**SHSWBC**

26/24 gauge

HS yellow butt conn w/solder

**SHSYBC**

12/10 gauge



## HEAT SHRINK SPADE TERMINALS

### 100 PACK - BLUE

16/14 HS #6 snap spade

**HSBVLST6**

16/14 HS #8 spade

**HSBVST8**

16/14 HS #10 spade

**HSBVST10**

### 100 PACK - RED

22/18 HS #8 spade

**HSRVST8**

22/18 HS #10 spade

**HSRVST10**

## HEAT SHRINK RING TERMINALS



### 50 PACK - YELLOW

12/10 #8 HS ring

**HSYRT8**

12/10 #10 HS ring

**HSYRT10**

12/10 #1/4 HS ring

**HSYRT14**

12/10 #5/16 HS ring

**HSYRT516**

12/10 #3/8 HS ring

**HSYRT38**

12/10 #1/2 HS ring

**HSYRT12**

### 100 PACK - BLUE

16/14 #8 HS ring

**HSBRT8**

16/14 #10 HS ring

**HSBRT10**

16/14 #1/4 HS ring

**HSBRT14**

16/14 #5/16 HS ring

**HSBRT516**

16/14 #3/8 HS ring

**HSBRT38**

### 100 PACK - RED

22/18 #8 HS ring

**HSRRT8**

22/18 #10 HS ring

**HSRRT10**

22/18 #1/4 HS ring

**HSRRT14**

22/18 #5/16 HS ring

**HSRRT516**

22/18 #3/8 HS ring

**HSRRT38**

## HEAT SHRINK BULLET CONNECTORS MALE & FEMALE

### 100 PACK

Red 22/18 HS male bullet .187

**HSRMB**

Blue 16/14 HS male bullet .157

**HSBMB**

Red 22/18 HS female bullet .187

**HSRFB**

Blue 16/14 HS female bullet .157

**HSBFB**



## HEAT SHRINK QUICK DISCONNECT FEMALE

### 100 PACK - FI=FULLY INSULATED

Red 22/10 .250 HS female FI QD

**HSRFFI**

Blue 16/14 .250 HS female FI QD

**HSBFFI**

Red 22/18 .250 HS F QD

**HSRFD**

Blue 16/14 .250 HS F QD

**HSBFD**

### 50 PACK - FI=FULLY INSULATED

Yellow 12/10 .250 HS female FI QD

**HSYFFI**

Yellow 12/10 .250 HS F QD

**HSFYD**



## HEAT SHRINK QUICK DISCONNECT MALE

### 100 PACK - FI=FULLY INSULATED

Red 22/10 .250 HS male FI QD

**HSRMFI**

Blue 16/14 .250 HS male FI QD

**HSBMFI**

Red 22/18 .250 HS M QD

**HSRMD**

Blue 16/14 .250 HS M QD

**HSMBD**

### 50 PACK - FI=FULLY INSULATED

Yellow 12/10 .250 HS male FI QD

**HSYMF**

Yellow 12/10 .250 HS M QD

**HSMYD**





**tesa**  
**INTERIOR PANEL  
PROTECTION TAPE**

**EACH**  
9.5"x72 yards **IB51136**



**tesa**  
**PAINT PROTECTION  
TAPE**

**EACH**  
14"x220 yards **IB50530**



**3M**  
**ELECTRICAL TAPE**

**10 PACK**  
Super 33+ electrical tape 3/4"x52'  
**SUPER33-10**

**tesa**  
**EXTERIOR  
HARNESING  
TAPE**

Tesa 3/8"x82 ft **IB51026**  
Tesa OEM 3/4"x82 ft **IB51036**



**SPLIT LOOM TUBING - BLACK  
POLYETHYLENE 200 DEGREE LOOM  
DISPENSER BOXED W/METRA LABEL**

Split loom tubing 200°  
1/4" dispenser boxed **SLT145**

Split loom tubing 200°  
3/8" dispenser boxed **SLT385**

Split loom tubing 200°  
1/2" dispenser boxed **SLT122**

Split loom tubing 200°  
1" dispenser boxed **SLT1**



**WIRE LOOM  
INSTALL TOOL**

1/4"-7/16" **SLT-08**  
1/2"-5/8" **SLT-15**

**DI-ELECTRIC  
GREASE**

3.3 oz container  
**IB05113**



**CABLE CLAMPS**

**100 PACK**  
1/8" black **BCC18**  
3/16" black **BCC316**  
1/4" black **BCC14**  
5/16" black **BCC516**  
3/8" black **BCC38**  
1/2" black **BCC12**  
3/4" black **BCC34**  
1" black **BCC1**



**MOUNTING HOLE  
CABLE TIES**

**100 PACK**  
6" screw mount black 40 lb **BMCT6**  
7.5" screw mount black 50 lb **BMCT7**  
11" screw mount black 50 lb **BMCT11**



**BLACK CABLE TIES**

**1000 PACK**  
4" black cable ties 18 lb **BCT4-1**  
6" black cable ties 30 lb **BCT6-1**  
8" black cable ties 40 lb **BCT8-1**  
18" black cable ties 50 lb **BCT18**



**WIRE CLIPS**

**4 PACK - SCREW MOUNT**  
8awg wire clips **IBCLIP8**  
10awg wire clips **IBCLIP10**

# HARDWARE



## FUSE BULK KITS

ATMLP fuse kit/assorted AMLP fuses in storage kit  
 ATC fuse assorted/ATC fuses in storage kit  
 ATC fuse assorted/ATM fuses in storage kit

**IBATMLPKIT**  
**IBATCKIT**  
**IBATMKIT**

## HEAT SHRINK TUBING KIT

Heat shrink kit  
**3MHSKIT**



## HIGH SPEED DRILL BIT

135° split point and shoulder tip  
**PZGDRILL**



## NUT DRIVER

Magnetized nut setter  
 5/16" bolt 1/2" driver  
**PZGDRIIVER**



## STORAGE CONTAINER

12 slots  
**IB12STORAGE**



## ELECTRICAL GEL

Anti-corrosion electrical connection gel  
**PZGGEL**



## TERMINAL KIT HEAT SHRINK - 120 PIECE

Assorted heat shrink butts, push ons, rings and spades  
**IBK-HS120**



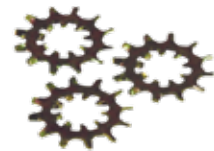
## BRUSH TIP

Stainless steel wires cut down to bare metal quickly  
**PZGBRUSH**



## LOCK WASHERS

**50 PACK**  
 Internal/external anodized  
**PZGLWS**



## GROUNDING KIT PROFESSIONAL HIGH CURRENT KIT

Contains enough parts for 50 grounds. Replacement parts can be purchased.  
**PZGGRKT**



## CUTTING BOLTS

**50 PACK**  
 Zinc anodized thread 5/16"  
**PZGBOLT**



## LOCK NUTS

**50 PACK**  
 Anodized flanged serrated  
**PZGLNUT**



## SAFETY GLASSES

Clear safety glasses  
**PZGGLESSSES**





## RUBBER GROMMETS

### 100 PACK

- Rubber grommet 1/8" ID **RG18**
- Rubber grommet 3/16" ID **RG316**
- Rubber grommet 1/4" ID **RG14**
- Rubber grommet 5/16" ID **RG516**
- Rubber grommet 3/8" ID **RG38**
- Rubber grommet 1/2" ID **RG12**



## LONG BARREL GROMMETS

### 25 PACK

- 8 gauge long barrel grommet .26" ID **LSB8**
- 4 gauge long barrel grommet .40" ID **LSB4**
- 1/0 gauge long barrel grommet .63" ID **LSB1**



## FIREWALL GROMMETS

### INCLUDES SEALING WASHERS

- 0AWG IP68 1/8" hole **IBFG0**
- 4AWG IP68 7/8" hole **IBFG4**
- 8AWG IP68 5/8" hole **IBFG8**



## STAINLESS

### 10 PACK

- #10 18-8 S.S. flat washer
- #10 18-8 316 S.S. flat washer

### 100 PACK

- #10-24 18-8 S.S. hx nylon insert
- #10x1-3/4 18-8 S.S. phil oval
- #10x2 18-8 S.S. phil oval
- #8x3/4 18-8 S.S. ph oval
- #10x24 18-8 1-1/4" phil pan
- #14x1 18-8 S.S. phil pan
- #10x1 18-8 S.S. ph pan
- #8x1 18-8 S.S. ph pan
- #8x3/8 18-8 S.S. phil truss
- #8x3/8 18-8 S.S. phil pan

- FW188**
- FW316SC**

- NTSC1024**
- POHSC10134**
- POHSC102**
- POHSC834**
- PPHSC1024114**
- PPHSC141**
- PPHSS101**
- PPHSS81**
- PTHSS838**
- PPHSS812**



## TEE NUTS & STAINLESS BOLTS

All tee nuts are zinc plated 1/4"-20 tpx5/16"  
All stainless bolts are 1/4"-20 tpi

### 4 PACK

- 1" Phillips head
- 1.5" Phillips head
- 2" Phillips head
- 1" Hex head
- 1.5" Hex head
- 2" Hex head

- IBTNKIT1**
- IBTNKIT2**
- IBTNKIT3**
- IBTNKIT4**
- IBTNKIT5**
- IBTNKIT6**



## ABS PLASTIC SHEET

- 12"x12"x1/16" sheet
- 12"x12"x3/16" sheet
- 12"x12"x1/8" sheet
- 8"x 12"x1/8" sheet
- 17"x21"x1/8" sheet
- 12"x12" grid plate
- 17"x21"x1/8" sheet in white
- 12"x16"x1/8" sheet in white

- ABS116**
- ABS316**
- 89-00-9031**
- 89-00-9025**
- 89-00-9032**
- 89-00-9030**
- W-ABS118L**
- W-ABS118S**

# TOOLS



## SOLDERING IRON KIT

### WELLER SUPER PRO SELF-IGNITING BUTANE SOLDERING IRON KIT

Professional quality, features "auto switch" safety shut-off and iron plated tip. Provides up to 125 watts of power.

#### IBPSI100K

- .094 single flat tip (for use with the IBPSI100K) **IBPSI2**
- .188 double flat tip (for use with the IBPSI100K) **IBPSI8**



## SOLDER KIT

### WELLER PROFESSIONAL SELF-IGNITING CORDLESS BUTANE

A lightweight, compact cordless butane soldering and hot air tool. Fast heat-up for high productivity, melts solder in less than 40 seconds. 25-75 watts.

#### IBP2KC

- .031 single flat tip (for use with the IBP2KC) **PPT1**
- .094 single flat tip (for use with the IBP2KC) **PPT2**
- .031 double flat tip (for use with the IBP2KC) **PPT5**
- .094 double flat tip (for use with the IBP2KC) **PPT5**

## SOLDER

.040 rosen core solder 1 lb spool 60/40 kester **SDR1**

.062 rosen core solder .25 lb spool 60/40 **SDR14**

.040 rosen core solder 11lb spool 60/40 economy **ESDR-1**

1lb .062 aluminum solder **ASDR1**

2 oz. golden flux for **ASDR1** only **GFLUX2**



**PRO4000A**



**HMAHS**



**HMGS**

## ELECTRIC GLUE GUN/STICKS

Electric glue gun

**PRO4000A**

### 8 STICKS PER BAG

- Black hot melt stick 10"
- Clear hot melt stick 10"
- Amber high strength stick

**HMGS**  
**HMGSC**  
**HMAHS**



## 3M DURAMIX

### SEMI-RIDGE PLASTIC REPAIR 6.25OZ

Urethane plastic repair material for repairing damaged bumpers and re-building tabs. Can also be used to bond many dissimilar materials such as plastic, fiberglass and metal. Used for backside reinforcement repair on a variety of plastic.

**3M04240**



### SUPER FAST PLASTIC REPAIR 6.25OZ

A two-component adhesive that has a very fast gel and cure time. The two parts consist of a base side and an accelerator side. The two parts are always mixed together. Used for rebuilding tabs and fixing broken eyelets. Has excellent wide gap filling capabilities. Will not run or sag.

**3M04247**

Duramix nozzle **3M08193**

Applicator **3M08571**





## WORK LIGHTS

The Bayco hanging work light on 50ft. retractable reel is 60 LEDs on the body of a hanging worklight, giving you the ability to keep working longer. 60 LED Floodlight creates 120 Lumens. Dual-position magnet hook hangs horizontally and vertically.

- 60 LED w/50ft. 18/2 cord reel
- 60 LED w/25ft. 18/2 cord
- 66 LED rechargeable spot with mag hook

- SL864**
- SL2125**
- SLR2166**



## UTILITY KNIFE

### RATCHET LOCK, 18MM CUTTER

Heavy-duty cutter features a uniquely designed, comfortable contoured, high-impact ABS plastic handle with a ratchet wheel blade locking mechanism. Unlimited blade adjustment. Includes LB Blade.

**OLFBNL**

### 10/PK 18MM, 8 SEGMENTS PER STRIP

Replacement blade for OLFBNL.

**OLFLB10B**

### 10/PK 18MM, SNAP-OFF SPEED BLADE

Manufactured from premium Japanese carbon tool steel. Features a special enhanced coating which virtually eliminates drag. Blade cuts faster and resists build-up when cutting adhesive backed materials. Excellent for cutting tough materials like thick corrugated, Gator Board, Corplast, wallboard, rubber and more.

**OLFLFB**



## SLIDE LOCK UTILITY KNIFE

9mm cutter features an ABS non-slip handle with a full length stainless steel blade channel. Auto-locking blade slider has micro, 26 blade stop positions. This compares to 13 on similar knives. Includes a pocket-clip/blade snapper which firmly attaches to the cutter.

**OLFAA1**

### 10/PK 9MM, 13 SEGMENTS PER STRIP

Replacement blade for OLFAA1.

**OLFAB10B**

### 50/PK 9MM, 13 SEGMENTS PER STRIP

Replacement blade for OLFAA1.

**OLFAB50B**



## SNAP-OFF GRAPHICS

### STAINLESS STEEL KNIFE WITH 30 DEGREE ANGLE

The acute 30° angle easily cuts cardboard, plastics, Coroplast™, foam board, Gator Board and more. It features an auto-lock to firmly secure the blade in place while cutting. Pocket clip/blade snapper for convenience.

**OLFSAC1**

### 10/PK 9MM, 7 SEGMENTS PER STRIP

Replacement blade for OLFSac1.

**OLFA1160B**

# TOOLS



## TOP SHEET CUTTER

Its unique design lets you cut the top layer while preserving those below. While the cutter is great for cutting coupons and printed articles, you also can use it on cardstock, thin films, plastic sheeting, tape and more.

**OLFTS1**

### 5/PK TOP SHEET CUTTER BLADE

Replacement blade for OLFTS1

**OLFTSB1**



## CUSHION GRIP KNIFE

### INCLUDES 2 PRECISION ART BLADES

This versatile knife features an acetone resistant, anti-slip cushion grip handle for enhanced comfort and performance. The bottom is weighted slightly for better balance and stability in cutting. The anti-roll device offers safety and its quick spin, easy blade change delivers convenience. For right and left handed users.

**OLFAK4**

### 5/PK #11 PRECISION BLADE

Replacement blade for OLFAK4

**OLFKB4S**



## STAINLESS STEEL KNIFE

Auto locking blade, stainless steel handle and built in safety blade stripper.

**OLFA**

10/pk ABS stainless blades **OL9281**

50/pk ABS stainless blades **OL9282**



## STANDARD DUTY CUTTER

Rubber grip insert, positive side lock.

**OLPA2**

10/pk ABS stainless blades **OL9281**

50/pk ABS stainless blades **OL9282**



## ECONOMY CUTTER

Knife 13pt snap blade **114-58**

10/pk replacement blades **114-62**



## ART KNIFE

Art knife/weeding pick. 30 blades included.

**OLFAK5**



## MULTI-PURPOSE SCRAPER

Handy scraper features high-quality 2 1/3" stainless steel blades and strong, acetone resistant handles to efficiently tackle most conventional jobs.

**OLFSCRL**

Multi-grip 4-3/4" **OLGSB-1S**

Replacement blade for OLGSB-1S **GSR13B**



## EDGE SCISSORS

### 7" STAINLESS STEEL, SERRATED SCISSORS

For heavy-duty cutting

**OLFSCS2**

### 5" PRECISION SMOOTH SCISSORS

Ideal for fine, intricate cutting

**OLFSCS4**



## RAZOR BLADES

100/pk single edge steel-back #12

**IBBLADE**



## DISPENSER PACK

100/pk utility replacement blades

**120-01**



## DAMPING MAT KNIFE

Retractable damping mat knife

**IBMATKNIFE**



## CRIMPING/CUTTING TOOL JOURNEYMAN

Soft handle material on outer surface and hard, black material on inner surface for comfort & durability. Use for insulated and uninsulated terminals & connectors. Accommodates wire from 10-22 awg.

**IBJ1005**



## CRIMPING/CUTTING TOOL NON-INSULATED TERMINALS CONNECTORS 10-22 AWG

Three different cutting blades; anvil, copper, curved and steel. Cleanly shears 6-32 & 8-32 screws. Double-dipped comfort grips with curved handles.

**IBJ1006**



## CRIMPING/CUTTING TOOL INSULATED & NON-INSULATED TERMINALS & CONNECTORS 10- 22 AWG

Accommodates wire from no. 10 to 22 AWG. Specially hardened wire cutter in nose. Tapered nose design for working in tight spaces.

**IB1005**



## SCRIBE

Ideal for marking most metal and softer materials.

**IB31800**



## "O" RING AND SEAL

Ideal for marking most metal and softer materials.

**IB31840**



## HAMMER CRIMPER

Large gauge

**IBHDCRIMP**



## WIRE PULLER

Helps pull and/or push cable and wire in any difficult area not easily accessible to your hands. Bullet shaped tip for penetrating rubber boots, grommets and wire loom wraps. Flexible spring steel body aide wire installation in tight areas. 24" overall length.

**MEG20**



## CRIMPING TOOL 6" AWG TO 4/0 COMPOUND

All-in-one integral crimp nest with no removable parts or rotating dies. Adjustable screw allows user to control crimp depth.

**IB2006**



# TOOLS



## CABLE CUTTER KURVE MULTI

Three different cutting blades; anvil, copper, curved and steel. Cleanly shears 6-32 & 8-32 screws. Double-dipped comfort grips with curved handles.

**IB63020**



## WIRE STRIPPER

Cuts, strips and loops 12-26 solid and stranded wire. Convenient hole for looping or bending wire. Adjustable slide stop with set screw for repeat stripping work.

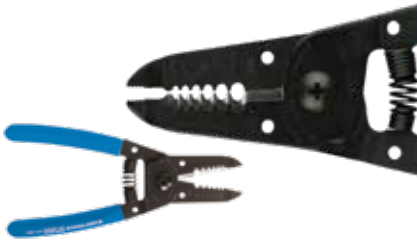
**IB1004**



## WIRE STRIPPER CUTTER

Strips 10-18 AWG solid wire, easy to read wire gauge markings and coil spring.

**IB11045**



## WIRE STRIPPER MULTI PURPOSE

Strips 10-20 AWG wire, bend shapes, pulls and loops wire, coil springs.

**IB1011**



## DIAGONAL CUTTERS MIDGET LIGHTWEIGHT

5" lightweight. Shears wire up to 14 AWG with flush cutting action, compact head, steel hold-open spring, plastic-covered handles.

**IBD275-5**



## DIAGONAL CUTTERS MIDGET POINTED NOSE (4")

Sharp pointed nose for precise tip cutting and trimming printed circuit boards. Spring loaded for self opening action.

**IBD209-4**



## 10" MULTI CRIMPER/ CUTTER

Patented 3-in-1 quality crimping tool designed for quick splice T-tap clipping, wire cutting and connector crimping. Hot forged and specially heat treated alloy for extra durability.

**TMT10**



## 8" T-TAP CRIMPER/ CUTTER

Patented 2-in-1 wire quick splice T-tap clipper and wire cutter. Hot forged and specially heat treated alloy for extra durability.

**TTT08**



## CRIMPER

For stripping wires from 22-12 AWG. Professional, for crimping insulated terminals. Crimper made of carbon steel and hardened. Crimps red 22-18 AWG, blue 16-14 AWG, yellow 12-10 AWG.

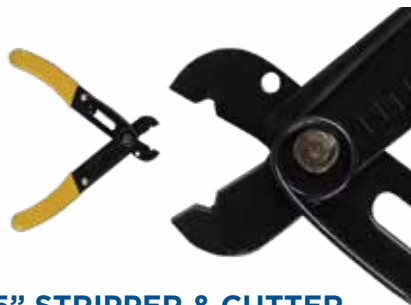
**HW-9013**



## CABLE CUTTER

Cuts up to 4 gauge

**TCT8**



## 5" STRIPPER & CUTTER

5" made of carbon steel and hardened with black-oxide finish.

**HW-9006**



**ASB10**

## AIR SAW BLADES

Bi-metal blades designed for automotive and sheet metal work. 10 TPI blade is for scroll cuts in fiberglass and heavy gauge metal. 18 and 24 TPI blades are for scroll cuts in lighter gauge metal.

24TPI 1/2" **ASB24**

**5 PACK**

24TPI 1/2" **ASB24-5**

18TPI 1/2" **ASB18-5**

10TPI 1/2" **ASB10-5**



## UNIBIT

Double fluted design eliminates skidding and makes for easier resharping. Also features laser etched hole sizes, anti-skid tip and drill points so there is no pilot hole needed. Works with most metals.

13 increments fractional:

1/8"-1/2" **IB59001**

9 increments fractional:

1/4"-3/4" **IB59003**



## BIT SET

### 32 PIECE STANDARD TIP SET

Durable PVC black block allows for easy storage of standard bits. Block slides over most screwdriver shafts for easy bit access and storage. Industrial strength, heat-treated steel bits for long-lasting use.

**IB32526**



## OFFSET HI-SPEED HEAD HEAVY DUTY 105° OFFSET\*

Here's the same award-winning design as our smaller 105" head, but made for heavy-duty power units. Rated at more than 500 in/lbs of torque/2000rpm. It lets you get your power unit into tight spots with drills, spade drills, grinders, buffers, nuts and screws.

**HD-105**



## SKEWDRIVER PRO®

The Skewdriver® is a bevel gear offset screwdriver that uses the rotary handle action of a regular screwdriver to access awkward and hard-to-reach places. The sturdy removable handle allows use with any cord free 1/4" drill and acts as a handy storage for bits.

**HW-9001**



## SKEWDRIVER PRO® KIT

The Skewdriver® Pro SPK4040 kit features an offset bit driver, a right-angle tool that's perfect for removing the screws that secure some dash speaker grilles, getting to screws in hard-to-reach trim pieces, or working in tight quarters anywhere in your car or home.

**SPK4040**



## BEVEL-GEAR DRIVER

Die cast Skewdriver® Pro offset bevel gear driver, with new super gears, 3 times stronger than previous models, has stabilizer lock screw, ANSI impact ready input shaft, black chrome finish.

**P9801HC**



## WRENCH SET

3/8" and 1/4" wrench set PBX 1400 Powerbox accessory with 7 piece english and metric sockets.

**PBS-1438**

## GEAR DRIVER

Offset gear driver

**RGS-5299**



# TOOLS



## CIRCUIT TESTER

Hooded probe protects your fingers and automatically centers the wires. Small size allows easy use even in the tightest places. Works up to 28volts.

**IB25600**



## CIRCUIT TESTER

Works without damaging sensitive electronic components. Safe for use on 12volt automotive computer circuits. Tool draws less than 21 M.A. at 12volts D.C. With an operating range of 3-12volts.

**IB27450**



**INNOVA**

## TEST LIGHT/CIRCUIT TESTER

Helps to quickly identify if there is voltage present on wiring and circuits. Ergonomic grip design with 6 ft. test leads. Transparent handle shows bright LEDs to identify connections: Green = ground present, red = voltage present

**3410**



## TONE GENERATOR SPEAKER POLARITY/ RCA CABLE TESTER

- Speaker tester with 9volts
- RCA cable tester
- Easy to use control knobs
- Auto off function

**IBR68**



**NAVONE  
ENGINEERING**

## TONE GENERATOR

Will quickly help you isolate noise problems and locate the correct speaker wires in a car. Runs on a single 9volt battery and has both RCA and alligator clipped outputs.

**IBN-899**



## PISTOL & VOLT PROBE

### HI-VIS VOLTPRO CIRCUIT TESTER

High visibility, simple to use, one handed dynamic voltage testing. Indicates power and grounds. Test the circuit's ability to deliver current and identify loose, corroded or broken wires. Capture intermittent spikes or drops in voltage. Take voltage snapshots in any mode.

- Dynamic voltage drop testing
- Power and ground LED indicators
- Min/max glitch capture
- Voltage snapshot

**76600**



## AUTO-RANGING DMM 10 MEGOHM/UL

Auto-ranging™ scales eliminate the need to dial in the correct range when making electronic measurements. 10 MegOhm input impedance for safe automotive and household uses. Large digital display. Single-setting resistance function for voltage (AC & DC). Color-coded LED's display battery quick check. Protective rubber corner guards for drop protection. Includes attachable test leads, holders and stand.

**3320**



## PHASE TESTER 10 MEGOHM/UL

Allows the install technician to verify the absolute phase of each speaker in the system, both individually and as a group. Features a built-in microphone and comes with a test CD that includes in polarity and out of polarity pulses (in addition to 11 other useful test tracks). Adds a built in pulse generator for both speaker level and low level connections directly to a component (speaker amplifier, signal processor, etc). The PT-9A also comes with a protective carrying case and test leads.

**EA-PT9A**

**KLEIN  
TOOLS**

## MULTIMETERS MANUAL

- Measures up to 600volt AC/DC voltage, 10 amps AC/DC current and 2MΩ resistance
- Tests batteries and diodes

**MM300**

## AUTO

- Measures up to 600V AC/DCV, 10A AC/DC current and 40Mff res.
- Measures capacitance, temp., frequency, duty-cycle, and test diodes and continuity
- CAT III 600V safety rating

**MM400**



# TERMS & CONDITIONS

## TERMS:

Net 30 days from date of invoice on approved accounts. Minimum order: \$50 per invoice, orders less than required minimum incur a \$20 service charge.

---

## FREIGHT:

Freight on board (F.O.B.) from point of shipment. Freight will be charged on all drop-shipment orders.

---

## CREDIT:

In order to establish a credit line with Metra, an application for credit must be submitted listing a minimum of five (5) trade references and a bank with their addresses and phone numbers and must be signed by a principal or authorized officer of the company. A credit line will be established by our credit manager and must be maintained in a current status according to our terms (net 30 days). Credit not established or revoked requires remittance with order. Returned checks are subject to a fee of \$32.00.

---

## RESALE TAX EXEMPTION CERTIFICATE:

CA, TX, KY, NJ & FL customers must provide a valid resale card before an order can be placed.

---

## CLAIMS:

Title and risk of loss passes to buyer at F.O.B. shipping point and all claims must be filed with carrier. Any discrepancies must be reported to Metra within ten (10) days of receipt of shipment.

---

## RETURNS:

All sales are final. No returns or exchanges will be allowed without prior written authorization from Metra. All returns are subject to a 20% handling charge, must be in a saleable condition, and must have been purchased within sixty (60) days of return request. No stock balancing permitted. Copies of invoices must be mailed in advance for any return authorization (R.A.).

---

## LIMITED WARRANTY:

Metra warrants all of its products, including all electronic kits, to be free from defects in material and workmanship for a period of 1 year from date of purchase. Metra will, at its option, repair, replace or allow credit on any part which, in Metra's opinion, is found defective under normal use. Warranty void on items misused, altered in any way, tampered with or serviced by anyone other than Metra. This warranty of merchantability of fitness neither assumes or authorizes any other person to assume for it, any other liability in connection with its products. In no event shall we be liable for any incidental or \*consequential damages, or do we assume any other liability except provided herein.

---

## BACK ORDERS:

If an item is temporarily unavailable for immediate shipment, we will back-order the item and ship as soon as possible from the nearest available warehouse, unless otherwise instructed.

Metra reserves the right to make changes in or deletions of products or prices without prior notice.

\*Metra will not assume any responsibility for damages to person or property due to incorrect interpretation of the material in this publication. Metra is not responsible for typographical or printing errors. Reproductions of editorial or pictorial content is strictly prohibited without prior consent from Metra.



**WARNING:** This catalog does not advise whether a State of California Proposition 65 warning is required for a particular item of merchandise. To learn whether a particular item of merchandise requires a California Proposition 65 warning, please be sure to look up and read the particular merchandise's listing on Metra's website [www.MetraOnline.com](http://www.MetraOnline.com), as well as read the particular merchandise's packaging. When a California Proposition 65 warning is present on Metra's website listing for the particular merchandise, or on the particular merchandise's packaging, a compliant California Proposition 65 warning is to be provided to the purchasing California consumer prior to the sale of the particular merchandise.



#MetraMarine



facebook.com/MetraElectronics



instagram.com/MetraElectronics



twitter.com/MetraElectronic



youtube.com/MetraElectronics



Order Anytime Day or Night at [MetraDealer.com](#)



Download all our New Catalogs at [MetraOnline.com](#)



### CORPORATE HEADQUARTERS

Metra Electronics Corporation  
460 Walker Street  
Holly Hill, FL 32117-2699

Metra Corporate: 386.257.1186  
Metra 12volt & International Sales: 386.257.2956  
Sales Fax: 386.258.3940

### WAREHOUSE OPERATIONS

Daytona Beach, FL  
Dallas, TX  
Freehold, NJ  
Lexington, KY  
Fresno, CA  
Long Beach, CA

### OVERSEAS OPERATIONS

Taipei, Taiwan R.O.C. • Hong Kong



MARINEBRO-20



[METRAMARINE.COM](#) | [METRAONLINE.COM](#)

© Copyright 2020 – Metra Electronics Corporation